

EX013

Zebra



The savannah has its very own springers

LEDON Explore has many springers on the savannah. The springers can withstand even the most enthusiastic cowboys or hunters! The series includes equipment for children large and small, and even the most energetic are well catered for. Whether you choose the **tiger**, the **giraffe**, the **rhino** or something quite different.

Springers are fun and healthy

It's fun to rock, but it's also important. Keeping a springer rocking exercises the whole body. This physical exercise is very healthy, but it also benefits a child's proprioception. Rocking back and forth gives the child a strong sense of cause and effect, while at the same time stimulating the vestibular sense, which strengthens balance and learning. None of the springers in the **LEDON Explore** series requires special maintenance, and they are designed with non-slip seats. The ergonomic nylon handles minimise the risk of eye and dental injuries, while also ensuring that small fingers do not stick to the surfaces in freezing weather.

LEDON Explore is your guarantee of a high-quality playgrounds

- Designed in cooperation with children to ensure the highest possible play value.
- Developed using materials that require low maintenance and with natural colours.
- 100% Danish-produced
- Short delivery times

When you purchase a playground from LEDON you get a lot more than just a playground.



Click here to see more about the product on our website:
<https://www.ledonplay.com/product/ex013/>

Specifications



Order number
EX013



Product dimensions (LxWxH)
100 x 28 x 87 cm



Area requirement incl. safety distances (LxW)
342 x 228 cm



Maximum fall height
50 cm



Age recommendation
From 2 years



Approximate installation time
1 person 1 hour

Why choose LEDON:



Danish design and production



Playground equipment developed in cooperation with children



Low maintenance playgrounds

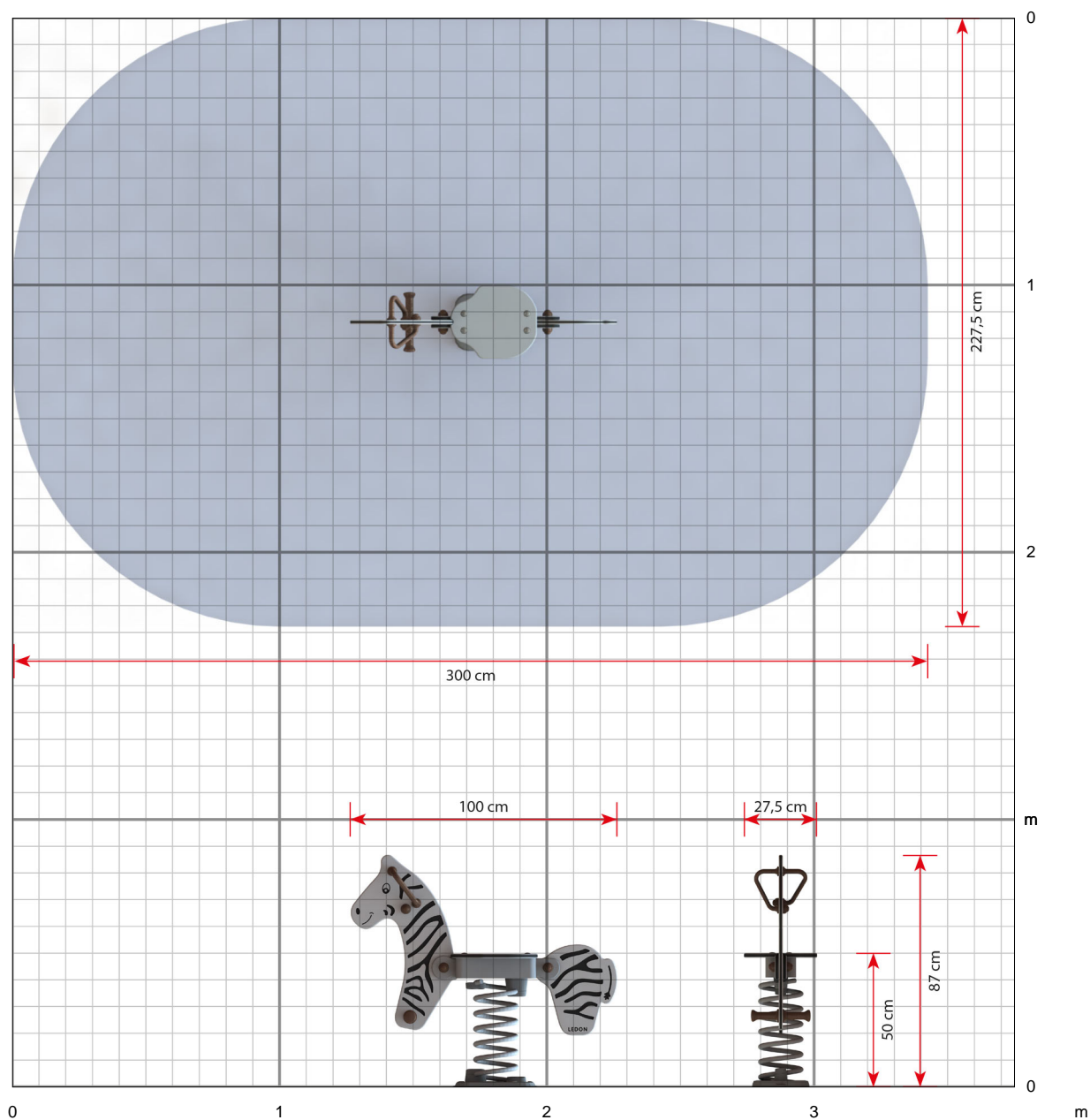


Made with sustainable materials

EX013

Zebra

Scale 1:25 (when printed in 100%)



Click here to see more about the product on our website:
<https://www.ledonplay.com/product/ex013/>